

TWIN

COLORS: Black Stainless steel | White Stainless steel

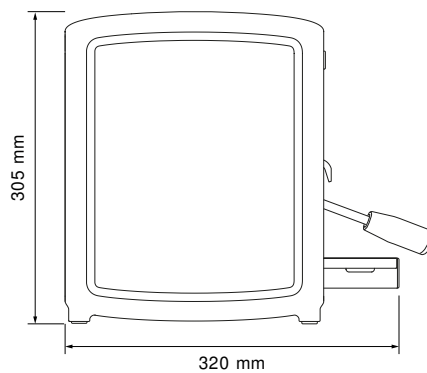
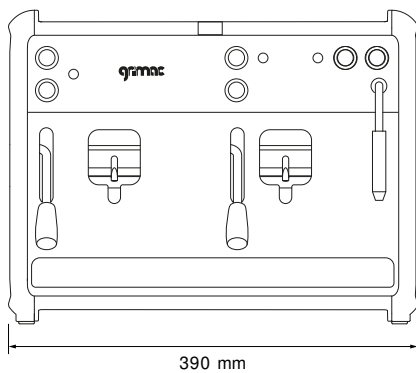
Coffee machine for filter paper pods, with two dispensing units equipped with steam dispensers, is provided for the office.

TECHNICAL FEATURES

- Pods coffee machine for 44mm and 38mm diameter
- 2 Independent coffee groups
- 1 steam dispenser
- Patented Compensator for preinfusion
- An independent ignition system for brass coffee and steam heat exchangers

■ **AVAILABLE VERSIONS**
SEMIAUTOMATIC POD

■ **OPTIONALS**
CREDIT SYSTEM



Groups	Model	Control	Electric Heater	Voltage	Boiler	Weight
1	TWIN POD	S	1700 W	220 - 240 V 50/60 Hz	4 L	16 kg