

CLODIA

COLORS: BODY: WHITE | GOLD | BLACK
SIDE: TRASPARENT | WOOD

Professional coffee machine that is easy to operate, with programmable coffee doses and MULTI GROUPS dispensing.



TECHNICAL FEATURES

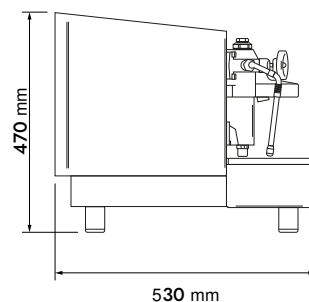
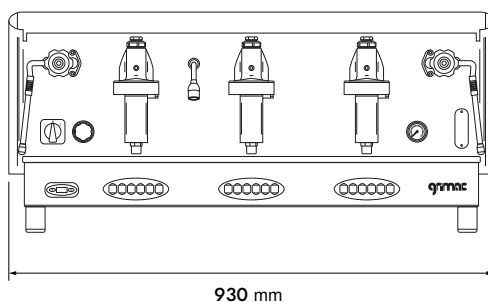
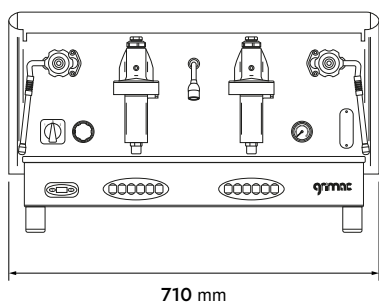
- MG Multi-Group system
- BMS Boiler managementsystem
- PID Thermal controlsystem
- Temperature setting for each group
- Volumetric dose control
- Cold touch steam wands
- Joy-stick handle for steam and push – button for water
- Push-button keyboard and display
- LED lighting: work area – side panels front bar
- Cup warmer
- 2 heights grid system

AVAILABLE VERSIONS

AUTOMATIC 1GR, 2GR AND 3GR

OPTIONALS

- ISTEAM LANCE
- WATER MIXER
- CAPSULES / POD GROUP KIT
- RGB LIGHT KIT
- CLOUD CONNECTION



Groups	Model	Control	Electric Heater	Voltage	Boiler	Weight
1	CLODIA	A	2640 W	220-240V / 380-415V (3N)	5 L	43 kg
2	CLODIA	A	4660 W	220-240V / 380-415V (3N)	8 L	56 kg
3	CLODIA	A	5660 W	220-240V / 380-415V (3N)	10 L	66 kg