

# CASSIA

**COLORS:** BODY: WHITE | GOLD | BLACK  
SIDE: BLACK | WOOD

Professional coffee machine that is easy to operate, with programmable coffee doses and MULTI GROUPS dispensing.

## TECHNICAL FEATURES

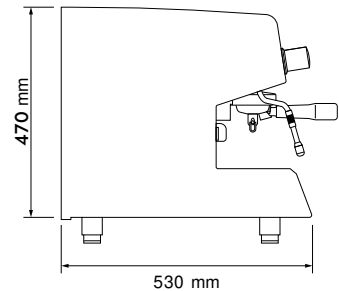
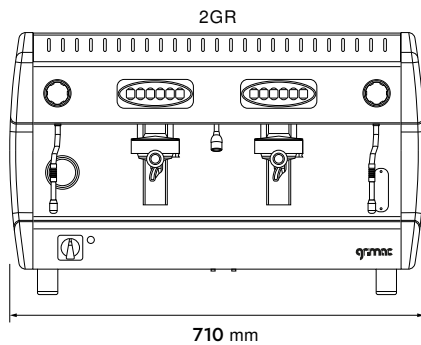
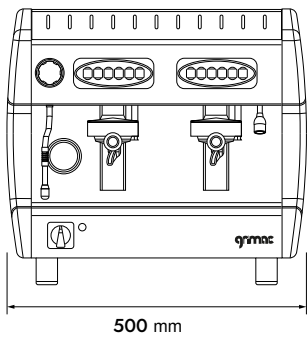
- MG Multi-Group system
- BMS Boiler management system
- PID Thermal control system
- Temperature setting for each group
- Volumetric dose control
- Push-buttons keyboard and display LED
- lighting: work area
- 2 heights grid system

## AVAILABLE VERSIONS

AUTOMATIC 1GR, 2GR AND 2GR COMPACT

## OPTIONALS

- ISTEAM LANCE
- COLD TOUCH STEAM LANCE
- CUP WARMER
- WATER MIXER
- SIDE PANEL LED LIGHTING
- CAPSULES / POD GROUP KIT
- RGB LIGHT KIT
- CLOUD CONNECTION



Groups	Model	Control	Electric Heater	Voltage	Boiler	Weight
1	CASSIA	A	2640 W	220 - 240V 380 - 415V (3N)	5 L	43 kg
2	CASSIA	A	4660 W	220 - 240V 380 - 415V (3N)	8 L	56 kg
2 COMPACT	CASSIA COMPACT	A	2640 W	220 - 240V 380 - 415V (3N)	5 L	43 kg