

GRO TUBELY

COLORS: Black | White | Red | Orange | Yellow | Green | Blue

TECHNICAL FEATURES

- Pods coffee machine
- Patented Compensator, located in the lower part of the group which allows an effortless closure at constant pressure over time
- Pre-brewing
- Vertical group closure to give at the machine more steadiness at group closure
- Easy access to group for maintenance purpose through the top cover, which is fixed by means of only two screws
- Available in standard version with aluminium heat exchanger and GHA cartdrige (antibacterial and non-stick material)
- External tank
- Vibration pump

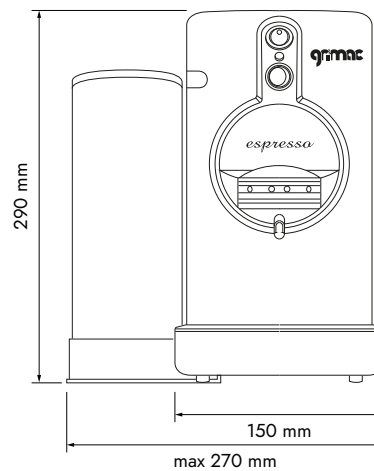
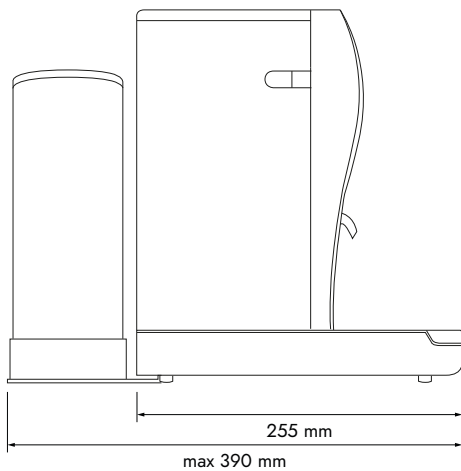
AVAILABLE VERSIONS

PODS

GRO CLASS



The GHA treatment is the most recent and innovative patented technology with antibacterial and mould-inhibiting capabilities (bactericidal) and it inhibits the formation of limescale.



Groups	Model	Control	Electric Heater	Voltage	Tank	Weight
1	GRO TUBELY	S	400 W	220 - 240 V 50/60 Hz	2 L	4,5 kg

PACKAGING (LxPxH) cm
 GRO TUBELY: MAX 60 MACHINES/PALLET 80x120x170 cm